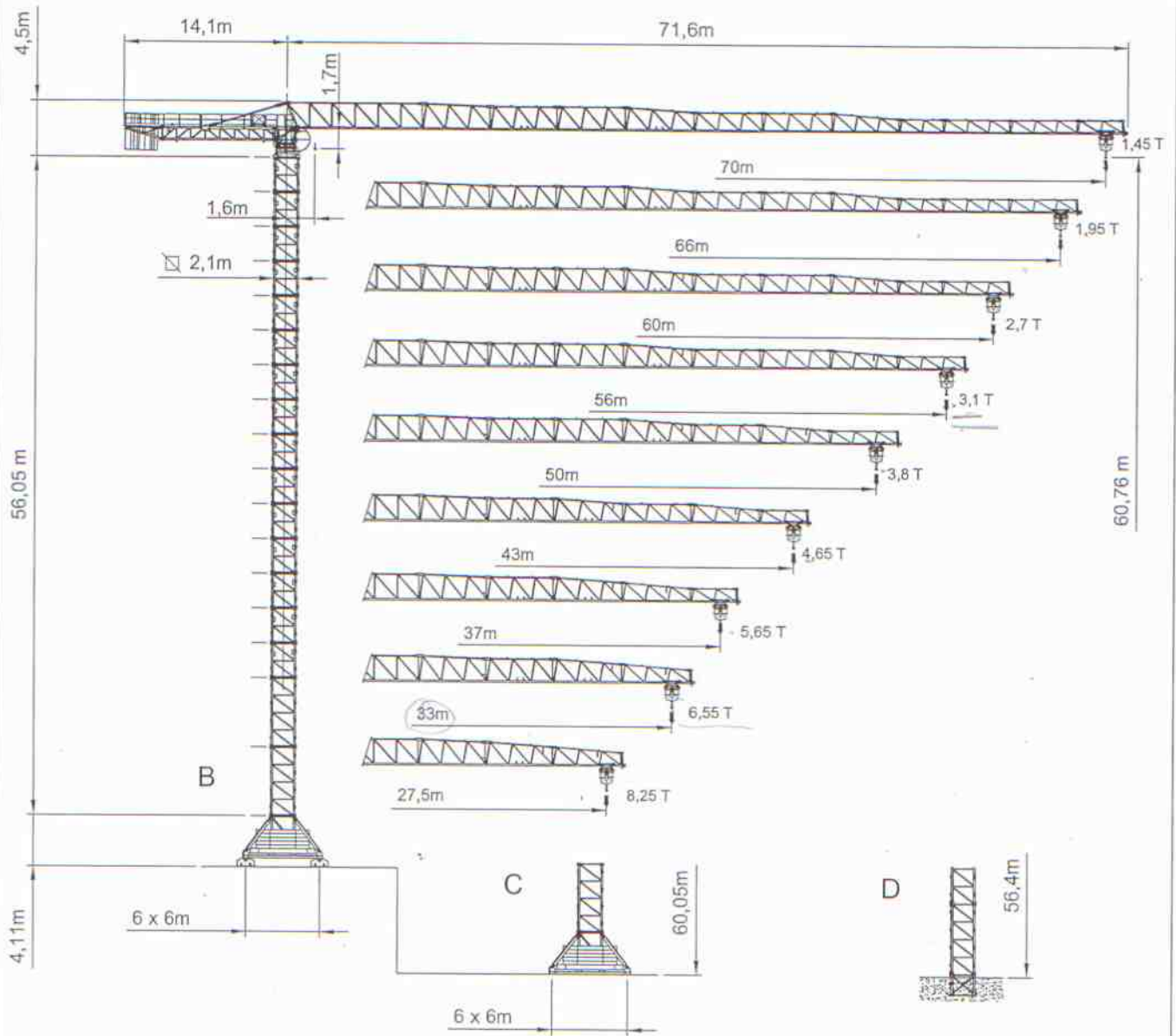




Libretto istruzioni	Cap. 1	CARATTERISTICHE TECNICHE GENERALI	Foglio	Pag. 1.1
---------------------	--------	-----------------------------------	--------	----------



* AutoCAD Mechanical 2000 Power Pack *

B

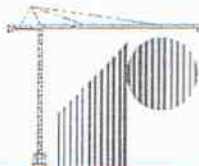
C

D



RAGGI E PORTATE
RADIUS AND S.W.L.
PORTEE ET CHARGE
AUSLADUNG UND TRAGFAHIGKEIT

Portata max / Max s.w.l. Charge maxi / Max. Tragfähigkeit		12000 kg. / 6000 kg.									
Sbraccio / Radius Ausladung / Portée	m.	27,5	33	37	43	50	56	60	66	70	
Campo di portata max da Max s.w.l. range from Charge maxi de Max. Tragfähigkeit von	2,8 m a to à bis	19,7	19,4	19,2	18,9	18,7	17,9	17,3	15,2	13,7	
Sbraccio (m.) Radius (m.) Portée (m.) Ausladung (m.)		14	12000	12000	12000	12000	12000	12000	12000	12000	12000
		18	12000	12000	12000	12000	12000	11935	11488	9897	9553
		20	11582	11568	11427	11427	11129	10586	10186	8761	7731
		22	10395	10382	10255	10255	9985	9493	9131	7841	6908
		24	9413	9402	9285	9285	9038	8589	8259	7080	6228
		26	8588	8577	8470	8470	8243	7830	7525	6441	5656
		27,5	8222	8212	8109	8109	7891	7493	7201	6158	5403
		30		7268	7175	7175	6979	6623	6361	5425	4749
		32		6739	6653	6563	6470	6136	5891	5015	4382
		33		6550	6416	6329	6239	5916	5678	4830	4216
		36			5787	5707	5624	5329	5111	4336	3775
		37			5650	5522	5442	5155	4943	4189	3644
		40				5026	4952	4687	4491	3795	3291
		42				4735	4665	4412	4226	3564	3085
		43				4650	4531	4285	4104	3457	2989
		46					4167	3937	3767	3164	2727
		48					3950	3729	3567	2989	2571
		50					3800	3539	3383	2829	2428
		52						3363	3214	2681	2295
		54						3201	3057	2544	2173
56						3100	2911	2417	2060		
58							2776	2299	1954		
60							2700	2189	1956		
62								2087	1764		
64								1990	1678		
66								1950	1597		
68									1522		
70										1450	



FIXED CRANE ON EXPENDABLE FOUNDATION ELEMENT (GR 5)

Height under hook (m)	26.9	32.8	38.7	44.6	50.5	56.4
Max. pressure (Kg/cm ²)	0,784	0,844	0,887	1,002	1.134	1.456

VOLUME	Specific weight	Theoretical weight	DIMENSIONS IN
73,1 m ³	2,3 T/m ³	168,2 T	mm

(Minimum concrete quality: R325 (RBK 300))

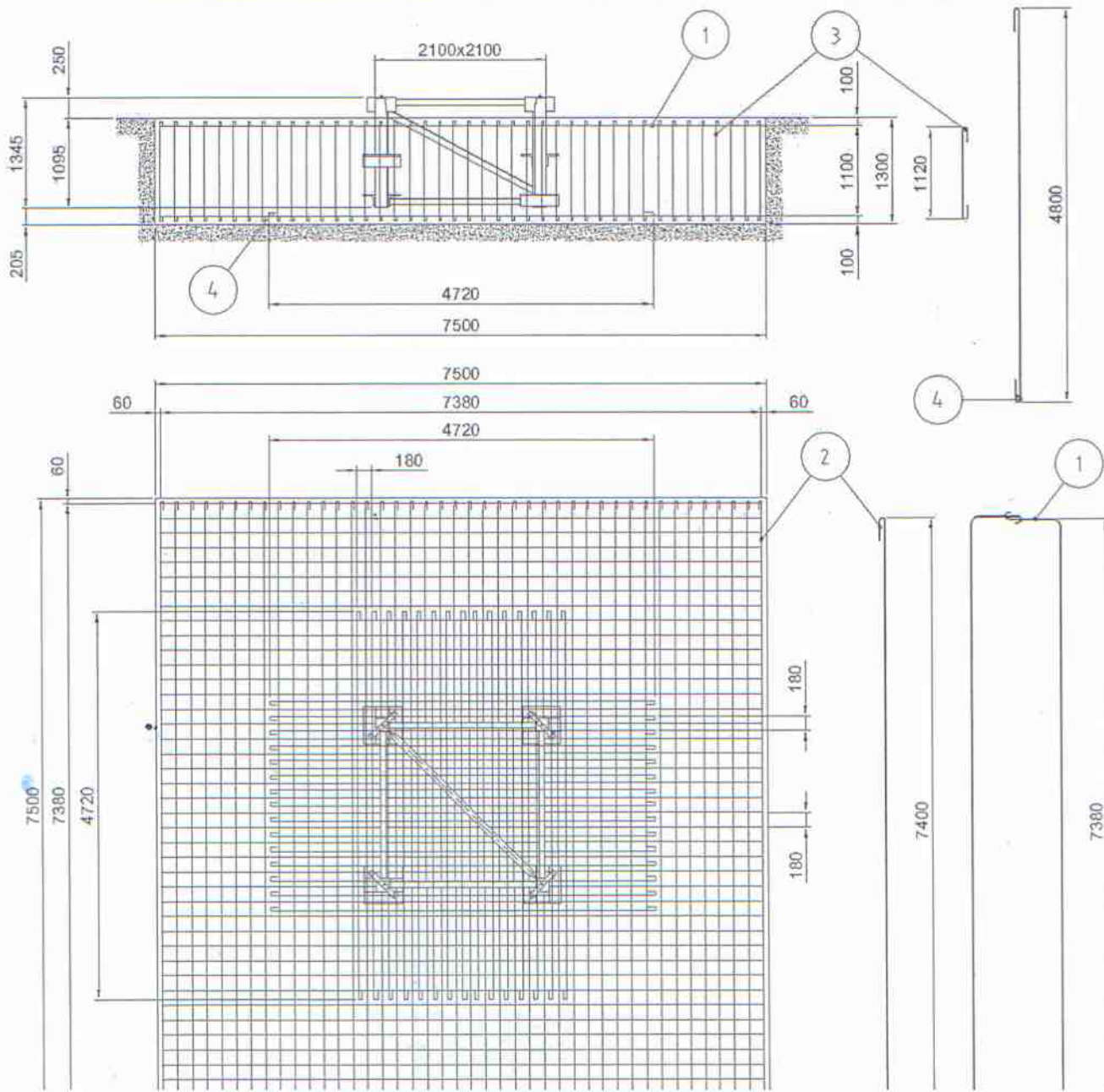
(Ø18 mm stee rods)

Pos. 1) N°42 Ø18 rods L=17100 mm

Pos. 2) N°84 Ø18 rods L=7580 mm

Pos. 3) N°80 Ø8 rods L=1170 mm

Pos. 4) N°30 Ø18 rods L=4950 mm





Libretto istruzioni

Cap.

1





Foglio

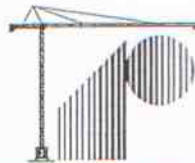
1

Pag.

1.3

RAGGI E PORTATE
RADIUS AND S.W.L.
PORTEE ET CHARGE
AUSLADUNG UND TRAGFAHIGKEIT
(ULTRALIFT)

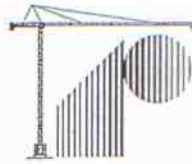
Portata max / Max s.w.l. Charge maxi / Max. Tragfähigkeit		12000  / 6000 									
Sbraccio / Radius Ausladung / Portée	m.	21	33	37	43	50	56	60	66	70	
Campo di portata max da Max s.w.l. range from Charge maxi de Max. Tragfähigkeit von	2,8 m a to à bis	-	-	-	-	-	-	-	-	-	
	14	12000	12000	12000	12000	12000	12000	12000	12000	12000	
	18	12000	12000	12000	12000	12000	12000	12000	10658	9553	
	20	12000	12000	12000	12000	12000	11451	10960	9443	8273	
	22	11434	11371	11195	11019	10915	10276	9831	8458	7399	
	24	10354	10305	10144	9983	9888	9305	8898	7544	6677	
	26	9447	9408	9261	9112	9025	8488	8114	6959	6069	
	27,5	9044	9011	8869	8727	8643	8127	7767	6656	5800	
	30		7985	7857	7730	7654	7191	6868	5873	5105	
	32		7410	7291	7172	7101	6668	6366	5434	4715	
	33		7150	7035	6919	6850	6430	6138	5235	4539	
	36			6352	6246	6184	5800	5532	4707	4070	
	37			6150	6047	5986	5613	5353	4550	3931	
	40				5510	5454	5109	4869	4128	3556	
	42				5196	5143	4815	4586	3881	3337	
	43				5050	4998	4678	4454	3766	3235	
	46					4602	4303	4095	3452	2957	
	48					4367	4080	3881	3266	2791	
	50					4150	3875	3684	3094	2639	
	52						3687	3503	2936	2498	
	54							3512	3335	2789	2368
56							3350	3179	2654	2248	
58								3035	2527	2136	
60								2900	2410	2031	
62									2300	1934	
64									2197	1842	
66									2100	1757	
68										1676	
70										1600	



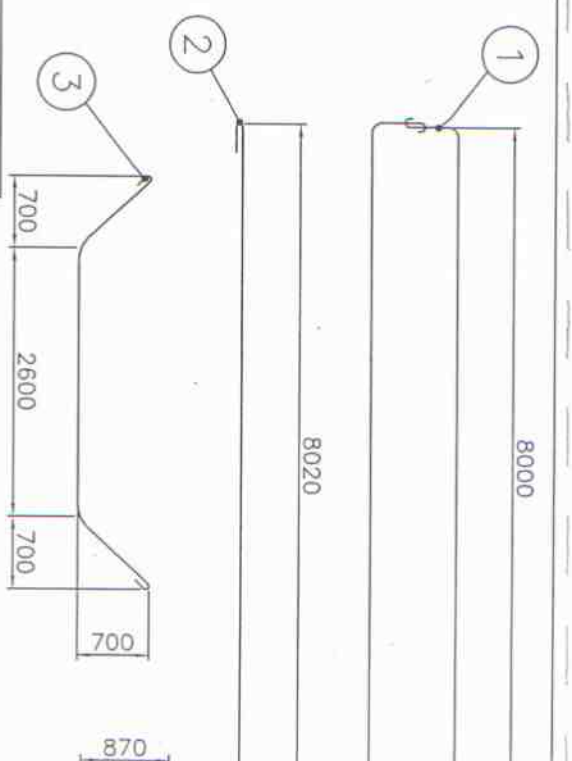
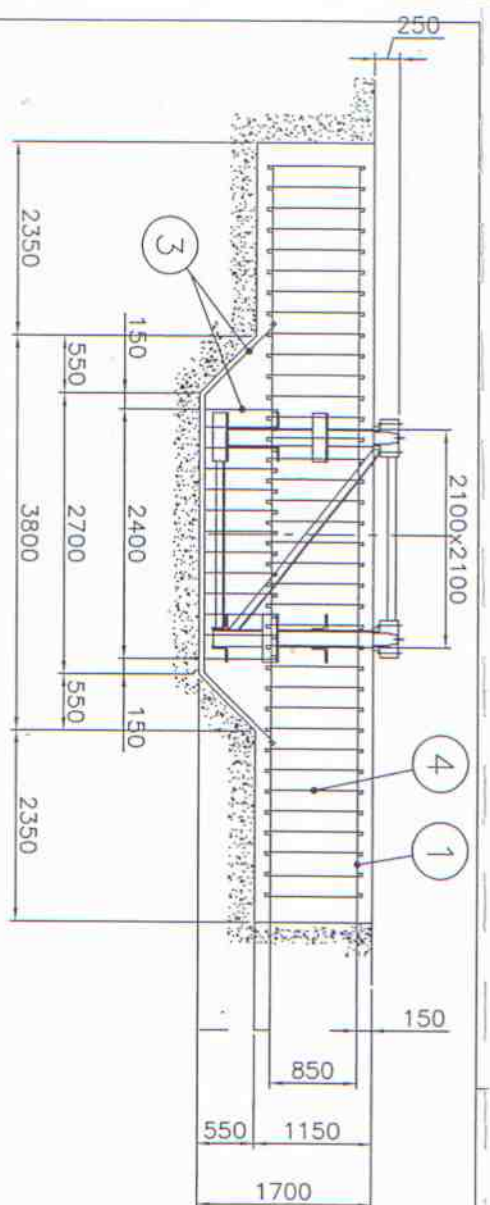
Instruction booklet	Cap. 1	CARATTERISTICHE TECNICHE GENERALI	Sheet 1	Pag. 1.7
---------------------	--------	-----------------------------------	---------	----------

COMPONENTS WEIGHT AND OVERALL DIMENSIONS

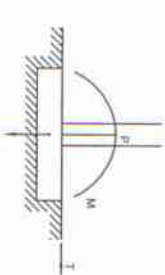
	L m.	W m.	H m.	Kg.		
JIB ELEMENT N°1	L1 (11,97)	1,795	2,29	3600		
JIB ELEMENTS	L2 (6,2) L3 (6,1)	1,5 1,5	2,29 2,09	1210 1100		
JIB ELEMENTS	L4 (6,11) L5 (6,11) L6 (6,10)	1,5 1,5 1,5	2,09 2,09 1,69	1000 850 750		
JIB ELEMENTS	L7 (6,05) L8 (6,04) L9 (4,14)	1,5 1,5 1,5	1,66 1,66 1,21	600 540 370		
JIB ELEMENTS	L10 (5,99) L11 (5,92) L12 (3,92)	1,5 1,5 1,5	1,21 1,18 1,18	420 390 210		
POINT	L13 (0,50)	1,5	1,38	90		
COMPLETE JIB	70 m. 66 m. 60 m. 56 m. 50 m. 43 m. 37 m. 33 m.	72,00 68,00 61,70 57,60 51,80 44,10 38,10 34,10	1,795 1,795 1,795 1,795 1,795 1,795 1,795 1,795	2,29 2,29 2,46 2,46 2,46 2,46 2,46 2,46	12710 12500 12110 11740 11140 10140 9390 8540	
COUNTERJIB, HOISTING WINCH TROLLEY JIB, ELECTRICAL BOX, ETC.	(L) 13,35 (L1) 11,95	2,60 2,60	2,40 2,40	9945 8905		
COUNTERJIB, HOISTING WINCH TROLLEY JIB, ELECTRICAL BOX ELEMENT FOR COUNTERWEIGHT ETC.	16,48	2,60	2,40	10750		
TURNTABLE, ELECTRICAL BOX, SERVICE AND ACCESS	3,45	3,83	2,19	5300		



Instruction booklet		Cap.				Sheet	Pag.
1		1				2	1.7
COMPONENTS WEIGHT AND OVERALL DIMENSIONS		L m.	W m.	H m.	Kg.		
Tower element		11,800	2,270	2,270	4135		
		5,900	2,270	2,270	2700		
		2,950	2,270	2,270	1500		
Travelling base		4,340	0,600	0,720	700		
		8,890	0,620	0,720	1575		
Counterweight block		1,670	0,480	2,810	4505		
		1,670	0,270	2,810	2535		
		1,670	0,170	2,810	1600		
Tower element		3,000	2,475	2,475	1925		
Climbing cage		8,530	3,100	2,300	7670		
Travelling bogie and driving bogie.		1,315	0,222	0,540	600		
		1,427	0,492	0,540	765		



Jib 70m	65,3
High under hook (m)	1,35
Max. pressure (Kg/cm ²)	



$$M = 556,8 \text{ tX}$$

$$P = 81,3 \text{ t}$$

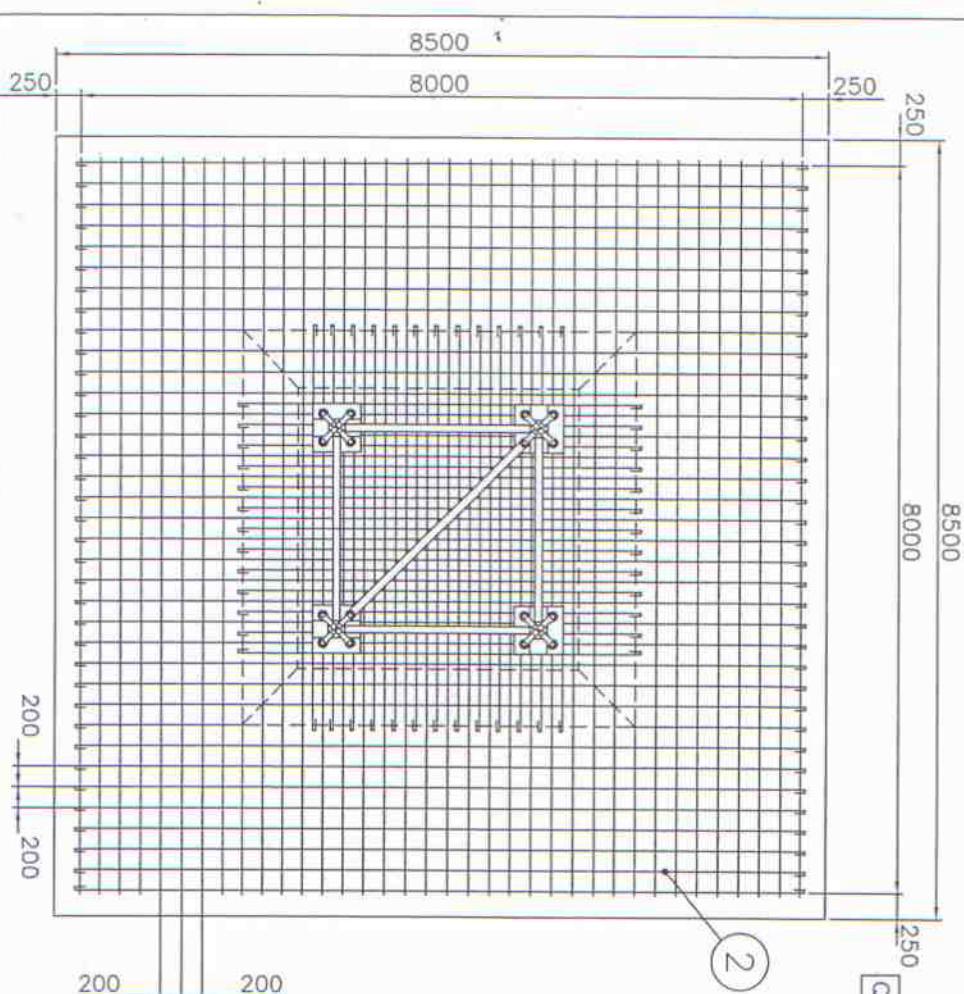
$$T = 15,4 \text{ t}$$

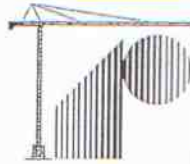
Volume = 89,063 MC. Tons. 204,85 Specific weight 2.3

Posiz/Pezzi	Denominazione	Dimensioni	Materiale	Unit. Totale	Peso Kg.	Disegno/Uni	Codice/Note	Codif
1								
4	Tondino-Rod Ø8	1020						
3	26 Tondino-Rod Ø22	3740						
2	82 Tondino-Rod Ø22	8200						
1	41 Tondino-Rod Ø22	18000						

Modifiche					
1					
2					
3					
4					

Peso unit. grezzo Kg.	Peso unit. finito Kg.	
Codice pezzo:	Esegue n.	Sezionarelli per quota indicazione di tolleranza UNI 5307-63
Macchina: MRT123		Dimensioni lineari nominali
Gruppo: TORRE GR. 5 Booster		
Particolare: PATEA DI FONDAZIONE		
FOUNDAZIONE PLATFORM		
Disegno	Contr.	Nota
Scala 1÷50	Sest. il n.	Sest. dal n.
		Dis. n.

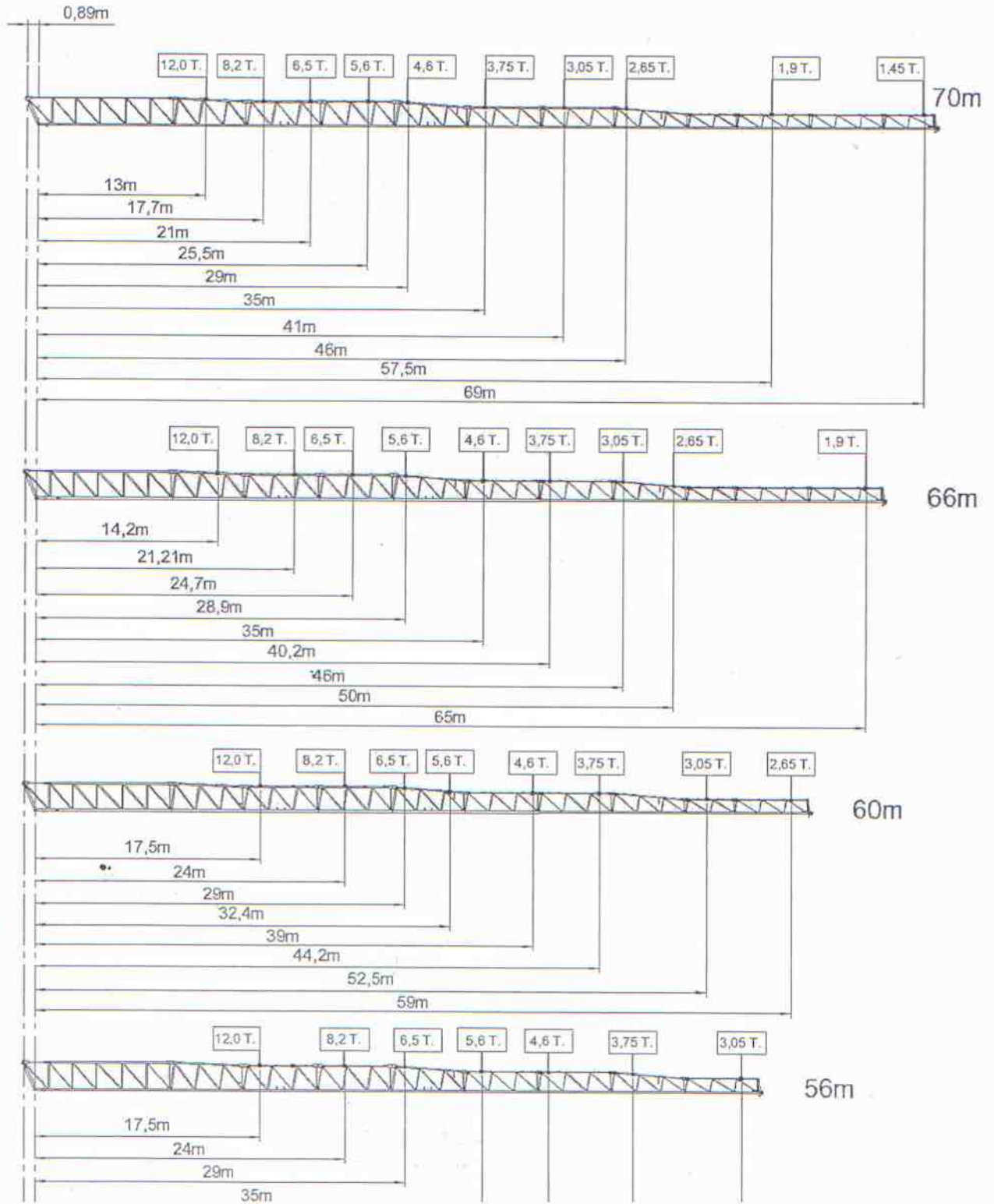




Positioning of the load table along the jib (Max load 12000Kg)

In the picture below are shown the spaces, meters, from the jib pinning point at the rotating frame, to the support pipes of the load tables.

The spaces and positions of the plates is variable according the jib length; the support pipes to be used blackened.





Instruction booklet

Cap.
3

COMPOSITION AND ASSEMBLY

Sheet

Page

